

Specification



	G2	G3
Lifetime	20,000 hours L70	15,000 hours L70
Efficacy	80lm/w	90lm/w
CRI	80	70
Max linage	10	8
Family code	BN068C	BN058C
Cost	-	>11% lower

Essential SB LED Trunkable Batten Portfolio-T5

Product Description	Voltage (V)	Wattage (W)	Frequency (Hz)	Lumen Output (lm)	Color Rendering Index	Lifetime (hrs)	Power Factor	IP	IK	Country of Origin	Product code	MOQ
BN068C LED3/CW L300 G2	220-240 V	3.6W	50/60	300 lm	80	20000hrs	0.5	IP20	IK02	CN	911401818497	120
BN068C LED3/NW L300 G2	220-240 V	3.6W	50/60	300 lm	80	20000hrs	0.5	IP20	IK02	CN	911401818597	120
BN068C LED3/WW L300 G2	220-240 V	3.6W	50/60	300 lm	80	20000hrs	0.5	IP20	IK02	CN	911401818697	120
BN068C LED6/CW L600 G2	220-240 V	7W	50/60	600 lm	80	20000hrs	0.5	IP20	IK02	CN	911401818797	120
BN068C LED6/NW L600 G2	220-240 V	7W	50/60	600 lm	80	20000hrs	0.5	IP20	IK02	CN	911401818897	120
BN068C LED6/WW L600 G2	220-240 V	7W	50/60	600 lm	80	20000hrs	0.5	IP20	IK02	CN	911401818997	120
BN068C LED9/CW L900 G2	220-240 V	10.6W	50/60	900 lm	80	20000hrs	0.5	IP20	IK02	CN	911401819097	120
BN068C LED9/NW L900 G2	220-240 V	10.6W	50/60	900 lm	80	20000hrs	0.5	IP20	IK02	CN	911401819197	120
BN068C LED9/WW L900 G2	220-240 V	10.6W	50/60	900 lm	80	20000hrs	0.5	IP20	IK02	CN	911401819297	120
BN068C LED12/CW L1200 G2	220-240 V	14W	50/60	1200 lm	80	20000hrs	0.5	IP20	IK02	CN	911401819397	120
BN068C LED12/NW L1200 G2	220-240 V	14W	50/60	1200 lm	80	20000hrs	0.5	IP20	IK02	CN	911401819497	120
BN068C LED12/WW L1200 G2	220-240 V	14W	50/60	1200 lm	80	20000hrs	0.5	IP20	IK02	CN	911401819597	120
TH Version (Power Cable included)												
BN068C LED3/CW L300 TH G2	220-240 V	3.6W	50/60	300 lm	80	20000hrs	0.5	IP20	IK02	CN	911401820297	120
BN068C LED3/NW L300 TH G2	220-240 V	3.6W	50/60	300 lm	80	20000hrs	0.5	IP20	IK02	CN	911401820397	120
BN068C LED3/WW L300 TH G2	220-240 V	3.6W	50/60	300 lm	80	20000hrs	0.5	IP20	IK02	CN	911401820497	120
BN068C LED6/CW L600 TH G2	220-240 V	7W	50/60	600 lm	80	20000hrs	0.5	IP20	IK02	CN	911401820597	120
BN068C LED6/NW L600 TH G2	220-240 V	7W	50/60	600 lm	80	20000hrs	0.5	IP20	IK02	CN	911401820697	120
BN068C LED6/WW L600 TH G2	220-240 V	7W	50/60	600 lm	80	20000hrs	0.5	IP20	IK02	CN	911401820797	120
BN068C LED9/CW L900 TH G2	220-240 V	10.6W	50/60	900 lm	80	20000hrs	0.5	IP20	IK02	CN	911401820897	120
BN068C LED9/NW L900 TH G2	220-240 V	10.6W	50/60	900 lm	80	20000hrs	0.5	IP20	IK02	CN	911401820997	120
BN068C LED9/WW L900 TH G2	220-240 V	10.6W	50/60	900 lm	80	20000hrs	0.5	IP20	IK02	CN	911401821097	120
BN068C LED12/CW L1200 TH G2	220-240 V	14W	50/60	1200 lm	80	20000hrs	0.5	IP20	IK02	CN	911401821197	120
BN068C LED12/NW L1200 TH G2	220-240 V	14W	50/60	1200 lm	80	20000hrs	0.5	IP20	IK02	CN	911401821297	120
BN068C LED12/WW L1200 TH G2	220-240 V	14W	50/60	1200 lm	80	20000hrs	0.5	IP20	IK02	CN	911401821397	120
Accessories												
ZCH086 C-2 - Power Cable	Power cable included with TH version indicated above									CN	911401591201	
ZCH086 CCPA - Link Cable	Link cable needs to be ordered seperately for all version									CN	911401591301	



Safe and easy Beyond Standard Application

SmartBright Bulkhead product is an ideal solution for residential and industrial semi-outdoor applications. The whole luminaire and its components are designed for humidity environment, it is safe, easy to install, and can provides quality of light with substantial energy.

Features & Benefits

- Clean design
- Reliable solution
- Good user experience

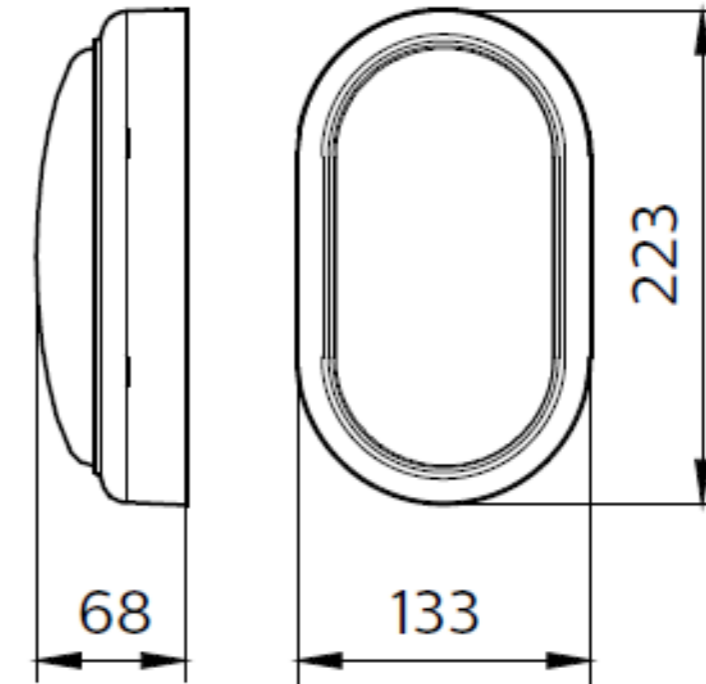
Product Datasheet

Product		SmartBright Bulkhead WL008C	
System performance	Type	Bulkhead Round	Bulkhead Oval
	Dimension (mm)	φ 182 x 64	133 x 223 x 68
	Lumen Output	Fix version 1400lm, Sensor version 1300lm	
	IP	Fix version IP65, Sensor version IP54	
	IK	IK06	
	Class	Class II	
Optics	CCT	NW 4000K	
	SDCM	<6	
	CRI	>80	
Electrical	Input Voltage	220~240/50~60hz	
	Power	15W	
	Power factor	> 0.9	
Lifetime	> 30K hrs (L70B50) @25°C		
Operating temperature	-20°C ~ +40°C		
Installation	Surface Mounted		
Accessory	2pcs x (screws + expansion bolt)		
Wiring	Stand alone Loop in loop out		
Package	Color package, 1 in 1		
Certificate	CCC, CB, CE, SAA		
Control	Fixe Motion Sensor		

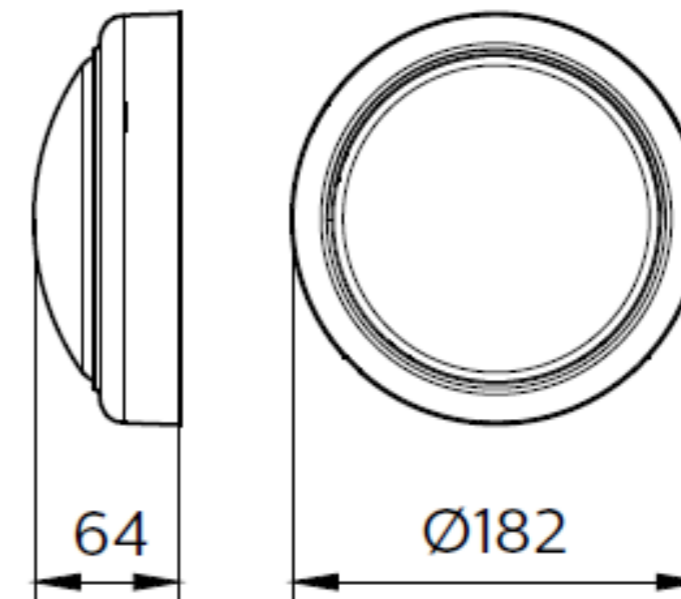
SmartBright Bulkhead – WT008C

Dimensional Drawing
(units: mm)

Oval Version:



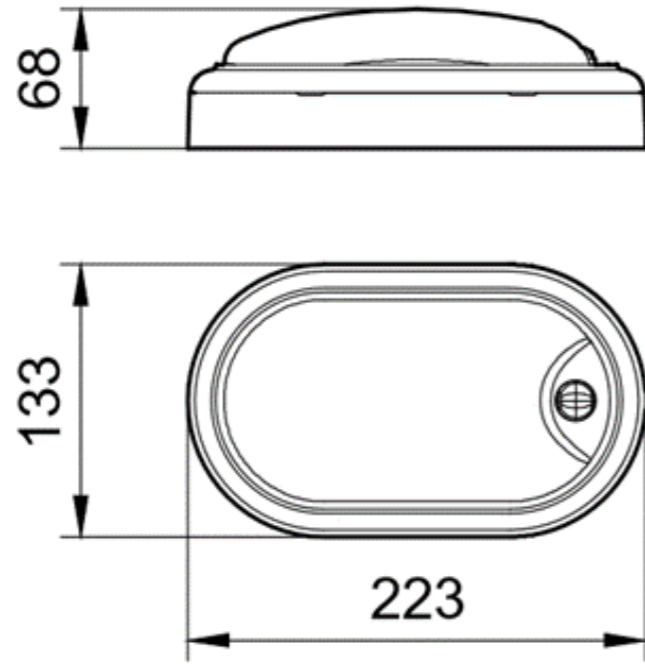
Round version:



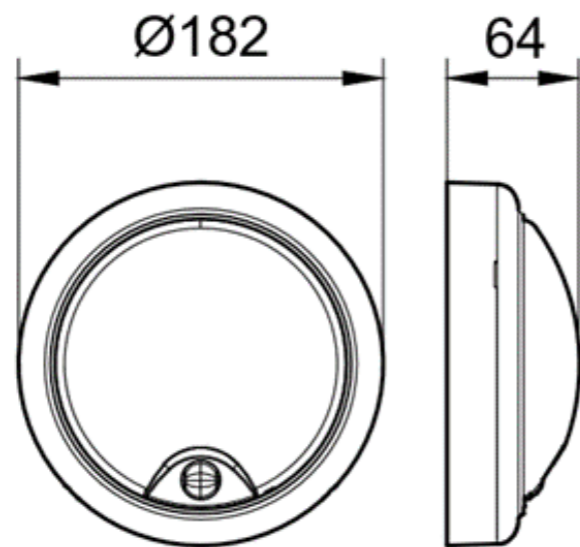
SmartBright Bulkhead – WT008C

Dimensional Drawing
(units: mm)

Oval Sensor Version:



Round Sensor version:



Specifications

Product Description	Voltage (V)	Wattage (W)	Color Temperature (K)	Lumen Output (lm)	Color Rendering Index	Lifetime (hrs)	IP	IK	Country of Origin	Product code
WLO08C LED10/NW round-Sensor W	240-220 V	15W	4000K	1300lm	80	30000hrs	IP65	IK06	CN	911401719232
WLO08C LED10/NW oval-Sensor W	240-220 V	15W	4000K	1300lm	80	30000hrs	IP65	IK06	CN	911401719222
WLO08C LED10/NW round W	240-220 V	15W	4000K	1500lm	80	30000hrs	IP65	IK06	CN	911401719212
WLO08C LED10/NW oval W	240-220 V	15W	4000K	1500lm	80	30000hrs	IP65	IK06	CN	911401719202
WLO08C LED10/NW round-Sensor BK	240-220 V	15W	4000K	1300lm	80	30000hrs	IP65	IK06	CN	911401719192
WLO08C LED10/NW oval-Sensor BK	240-220 V	15W	4000K	1300lm	80	30000hrs	IP65	IK06	CN	911401719182
WLO08C LED10/NW round W	240-220 V	15W	4000K	1500lm	80	30000hrs	IP65	IK06	CN	911401719172
WLO08C LED10/NW oval W	240-220 V	15W	4000K	1500lm	80	30000hrs	IP65	IK06	CN	911401719162
WLO08C LED10/NW round-Sensor BK	240-220 V	15W	4000K	1300lm	80	30000hrs	IP65	IK06	CN	911401719152
WLO08C LED10/NW oval-Sensor BK	240-220 V	15W	4000K	1300lm	80	30000hrs	IP65	IK06	CN	911401719142
WLO08C LED10/NW round BK	240-220 V	15W	4000K	1500lm	80	30000hrs	IP65	IK06	CN	911401719132
WLO08C LED10/NW oval BK	240-220 V	15W	4000K	1500lm	80	30000hrs	IP65	IK06	CN	911401719122
WLO08C LED10/NW round-Sensor	240-220 V	15W	4000K	1300lm	80	30000hrs	IP65	IK06	CN	911401719112
WLO08C LED10/NW oval-Sensor	240-220 V	15W	4000K	1300lm	80	30000hrs	IP65	IK06	CN	911401719102