

The Philips logo is displayed in a white rounded rectangle on the left side of the image.

Indoor Lighting

SmartBright Slim Panel
RC081 G4



More Reliable, More Professional

The most affordable slim LED solution for office

SmartBright Slim Panel G4 is the most economic slim LED solution which delivers qualified & reliable illumination on the working areas within long lifetime, creating a brighter and healthier office environment. The complete product family offers a variety of dimensions and installations, covering wide potential applications.

Features and benefits

- Slim & elegant design – The height of luminaire 8.5mm
- PMMA as LG material – Strong anti-yellowish performance within lifetime
- System efficacy 100lm/W, Energy saving 50% compared with TL troffer
- Full window illumination – deliver comfortable light with excellent uniformity
- Recessed, suspended, plaster ceiling (PCV) - Multiple mounting to cater various applications
- 1 on 1 replacement over TL troffer – The most affordable LED solution

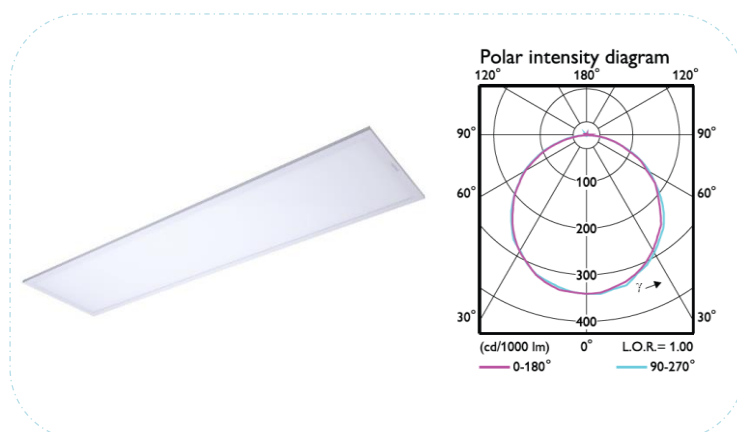
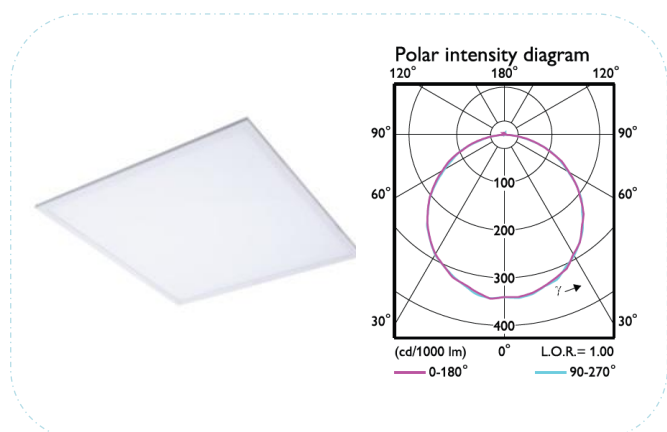
Application

- Open office | Meeting room
- Circulation area | Hospital | Library

Product Data

Types	RC081 LED30S	RC081 LED40S	RC081 LED50S
Lumen Output	3000lm	4000lm	5000lm
System Power	30W	40W	50W
System efficacy	100lm/W	100lm/W	100lm/W
CCT	CW (6500K)/ NW (4000K)		
CRI	≥80		
Color consistency	≤ 5 SDCM		
IP rating	IP20 (IP40 @lighting surface side)		
Classification	Class II		
Operation Temperature	-10°C to +35°C (Ta25°C)		
Lifetime (hrs)	30,000hrs L70B50 @25°C		
Optics	Symmetric		
Input Voltage	220-240V, 50/60 Hz		
Power factor	≥0.95		
Mounting / Installation	Recessed Surfaced/Suspended (to be ordered as separate accessory)		
Housing	Metal housing with white painting, PMMA Light Guide, PS diffuser		
Dimensions	597x597mm, 297x1197mm, 597x1197mm		
Packaging	Standard version: 6pcs in one master box, no individual inner packaging		
	2IN1 version, 1pcs in one master box, no inner color box, includes PCV clips		
Certificate	CB/EMC/RG0		

Photometry



Order Info

PCV version (for Indonesia)

Commercial Code	Product Description	Comment
911401866485	RC081V LED30S/840 PSU W60L60 2IN1 PCV	
911401866585	RC081V LED30S/865 PSU W60L60 2IN1 PCV	
911401866685	RC081V LED30S/840 PSU W30L120 2IN1 PCV	2 in one white box ,PCV clips inside
911401866785	RC081V LED30S/865 PSU W30L120 2IN1 PCV	
911401866885	RC081V LED40S/840 PSU W60L60 2IN1 PCV	
911401866985	RC081V LED40S/865 PSU W60L60 2IN1 PCV	
911401867085	RC081V LED40S/840 PSU W30L120 2IN1 PCV	4 in one brown box
911401867185	RC081V LED40S/865 PSU W30L120 2IN1 PCV	

Accessory (1 code fits for 1 panel)

Commercial Code	Product Description	Comment
911401867182	Panel SMB W60L60 H7	Surface mounting kit; MOQ 10.
911401867282	Panel SMB W30L120 H7	Surface mounting kit; MOQ 10.
911401824580	RC048Z SMB-PLC	Plaster ceiling clips; MOQ 10.
911401824680	RC048Z SME-2	Suspension mounting kit; MOQ20.
911401824780	RC048Z SC	Safety cable kit; MOQ 40.