



PAR38

PAR38 80W E27 230V PAR38 FL 30D 1CT/12

Pressed-glass 121 mm diameter reflector lamps of high luminous intensity

Product data

General Information	
Cap-Base	E27
Operating Position	UNIVERSAL [Any or Universal (U)]
Nominal lifetime	2,000 hour(s)
Switching Cycle	8,000
Rated Lifetime (Hours)	2,000 hour(s)
Lighting Technology	Incandescent

Light Technical	
Beam Angle (Nom)	30 degree(s)
Correlated Color Temperature (Nom)	2700 K
Color rendering index (CRI)	100
Luminous Flux in 90° Cone (Rated)	670 lm

Operating and Electrical	
Power Consumption	80.0 W
Starting Time (Nom)	0.0 s
Warm-up time to 60% light	instant full light s
Power Factor (Fraction)	1
Voltage (Nom)	230 V

Controls and Dimming	
Dimmable	Yes

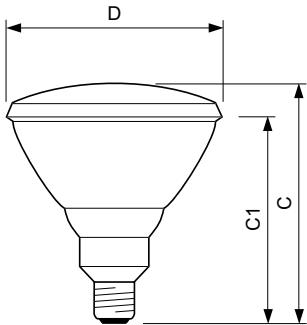
Mechanical and Housing	
Bulb Shape	PAR38

Approval and Application	
Energy Consumption kWh/1000 h	80 kWh

Product Data	
Order product name	PAR38 80W E27 230V PAR38 FL 30D 1CT/12
Full product name	PAR38 80W E27 230V PAR38 FL 30D 1CT/12
Full product code	871150090003601
Order code	923810544296
Material Nr. (12NC)	923810544296
Numerator - Quantity Per Pack	1
Net Weight (Piece)	319.000 g
EAN/UPC - Product/Case	8711500900036
Numerator - Packs per outer box	12
EAN/UPC - Case	8718291115762

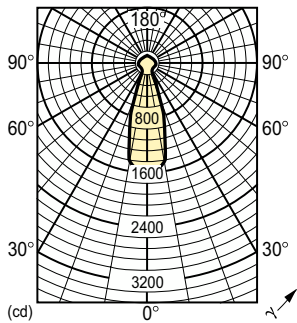
PAR38

Dimensional drawing



Product	D (max)	C (max)
PAR38 80W E27 230V PAR38 FL 30D 1CT/12	123 mm	137 mm

Photometric data



Light Distribution Diagram - PAR38 80W E27 230V PAR38 FL 30D 1CT/12





PAR38

PAR38 120W E27/51 220-240V PAR38 30D 1CT

Pressed-glass 121 mm diameter reflector lamps of high luminous intensity

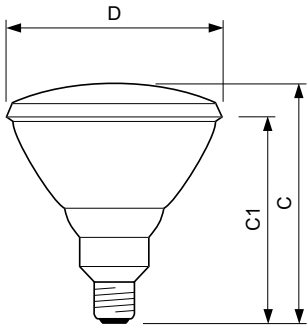
Product data

General Information	
Cap-Base	E27/51
Operating Position	UNIVERSAL [Any or Universal (U)]
Nominal lifetime	2,000 hour(s)
Rated Lifetime (Hours)	2,000 hour(s)
Lighting Technology	Incandescent
Light Technical	
Beam Angle (Nom)	30 degree(s)
Luminous Flux	1,150 lm
Color rendering index (CRI)	100
Operating and Electrical	
Power Consumption	120 W
Starting Time (Nom)	0.0 s
Voltage (Nom)	220-240 V

Mechanical and Housing	
Bulb Shape	PAR38
Product Data	
Order product name	PAR38 120W E27/51 220-240V PAR38 30D 1CT
Full product name	PAR38 120W E27/51 220-240V PAR38 30D 1CT
Full product code	871016317087901
Order code	923815643301
Material Nr. (12NC)	923815643301
Numerator - Quantity Per Pack	1
Net Weight (Piece)	308.000 g
EAN/UPC - Product/Case	8710163170879
Numerator - Packs per outer box	12
EAN/UPC - Case	8718291115847

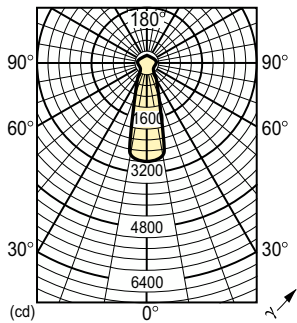
PAR38

Dimensional drawing



Product	D	C (max)	C1
PAR38 120W E27/51 220-240V PAR38 30D 1CT	121 mm	137 mm	123 mm

Photometric data



Light Distribution Diagram - PAR38 120W E27/51 220-240V PAR38 30D 1CT





PAR38

PAR38 120W E27/51 220-240V PAR38 12D 1CT

Pressed-glass 121 mm diameter reflector lamps of high luminous intensity

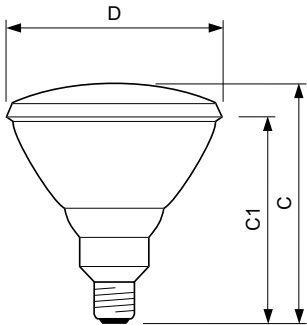
Product data

General Information	
Cap-Base	E27/51
Operating Position	UNIVERSAL [Any or Universal (U)]
Nominal lifetime	2,000 hour(s)
Rated Lifetime (Hours)	2,000 hour(s)
Lighting Technology	Incandescent
Light Technical	
Beam Angle (Nom)	12 degree(s)
Luminous Flux	1,150 lm
Color rendering index (CRI)	100
Operating and Electrical	
Power Consumption	120 W
Starting Time (Nom)	0.0 s
Voltage (Nom)	220-240 V

Mechanical and Housing	
Bulb Shape	PAR38
Product Data	
Order product name	PAR38 120W E27/51 220-240V PAR38 12D 1CT
Full product name	PAR38 120W E27/51 220-240V PAR38 12D 1CT
Full product code	871016317088601
Order code	923815343301
Material Nr. (12NC)	923815343301
Numerator - Quantity Per Pack	1
Net Weight (Piece)	308.000 g
EAN/UPC - Product/Case	8710163170886
Numerator - Packs per outer box	12
EAN/UPC - Case	8718291115816

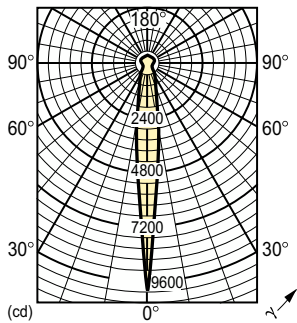
PAR38

Dimensional drawing



Product	D	C (max)	C1
PAR38 120W E27/51 220-240V PAR38 12D 1CT	121 mm	137 mm	123 mm

Photometric data



Light Distribution Diagram - PAR38 120W E27/51 220-240V PAR38 12D 1CT

