

EB-Certalume for TL5 lamps

EB-Ci 1-2 14-28W 220-240V 50/60 Hz

Affordable, reliable, high-frequency electronic ballast for TL5 fluorescent lamps, ideal alternative to electromagnetic fluorescent systems. The cost-saving and reliable EB-C has energy efficiency class A2, and its robust design meets all necessary international standards for safety and EMC. The ballast is primarily designed for Indoor application. For outdoor application, the luminaire should be minimum Classland need to be sufficiently protected against water & dust. The installation should also be guard against any lightening surge or any other necessary electrical protection as deemed in such typical installation & application.

Product data

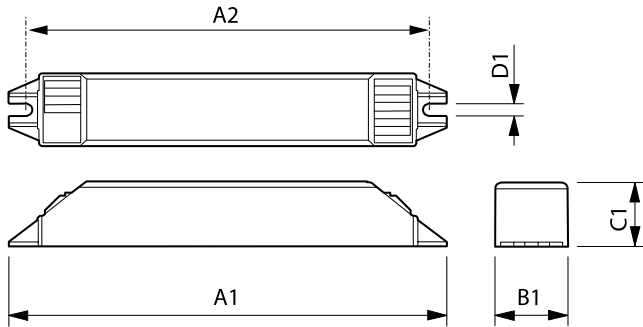
Operating and Electrical		T-Case Maximum (Max)	75 °C
Input Voltage	220-240 V	Mechanical and Housing	
Input Frequency	50 or 60 Hz	Housing Material	Plastic
Earth Leakage Current (Max)	0.5 mA	Housing	L210x30x26mm
Inrush Current Width	0.224 ms	Approval and Application	
Inrush Current Peak (Max)	17 A	Ingress protection code	IP20 [Finger-protected]
Number of Products on MCB (16A Type B) (Max)	30	Energy Efficiency Index	A2
Wiring		Safety Standard	IEC 61347-2-3, IEC 61347-1
Connector Type Input Terminals	Insert	Environmental Standard	ISO 14001
Connector Type Output Terminals	Insert	Approval Marks	CB Certificate CCC certificate TISI marking PSB certification RCM compliance SNI Certificate CS Compliance IRAM
Connector Type	Insert	Product Data	
Temperature		Order product name	EB-Ci 1-2 14-28W 220-240V 50/60 Hz
T-Case Lifetime (Max)	75 °C		

EB-Certalume for TL5 lamps

Full product name	EB-Ci 1-2 14-28W 220-240V 50/60 Hz
Full product code	694793913355000
Order code	913713043280
Material Nr. (12NC)	913713043280
Numerator - Quantity Per Pack	1
Net Weight (Piece)	0.080 kg

EAN/UPC - Product/Case	6947939133550
Numerator - Packs per outer box	30
EAN/UPC - Case	6947939133567

Dimensional drawing



Product	A1	A2	B1	C1	D1
EB-Ci 1-2 14-28W 220-240V 50/60 Hz	210 mm	200 mm	30 mm	26 mm	4.3 mm





EB-Certalume for TL5 lamps

EB-C 128 TL5 220-240V 50/60Hz

Affordable, reliable, high-frequency electronic ballast for TL5 fluorescent lamps, ideal alternative to electromagnetic fluorescent systems. The cost-saving and reliable EB-C has energy efficiency class A2, and its robust design meets all necessary international standards for safety and EMC. The ballast is primarily designed for Indoor application. For outdoor application, the luminaire should be minimum Classland need to be sufficiently protected against water & dust. The installation should also be guard against any lightening surge or any other necessary electrical protection as deemed in such typical installation & application.

Product data

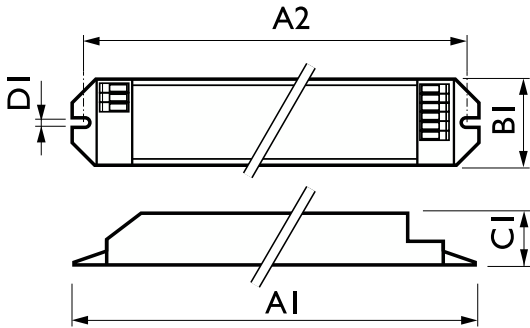
Operating and Electrical	
Input Voltage	220 to 240 V
Line Frequency	50 to 60 Hz
Input Frequency	50 to 60 Hz
Earth Leakage Current (Max)	0.7 mA
Wiring	
Connector Type Input Terminals	250 manual connector [Suitable for manual wiring and easy release button]
Color Input Terminals	Orange
Color Output Terminals	Grey
Connector Type Output Terminals	250 manual connector [Suitable for manual wiring and easy release button]
Temperature	
T-Case Lifetime (Nom)	75 °C

Mechanical and Housing	
Housing	L 275x20x21
Approval and Application	
Ingress protection code	IP20 [Finger-protected]
Energy Efficiency Index	A2
Approval Marks	CCC certificate CB Certificate
Product Data	
Order product name	EB-C 128 TL5 220-240V 50/60Hz
Full product name	EB-C 128 TL5 220-240V 50/60Hz
Full product code	872790088656600
Order code	913713196414
Material Nr. (12NC)	913713196414
Numerator - Quantity Per Pack	1
Net Weight (Piece)	0.073 kg
EAN/UPC - Product/Case	8711500998927

EB-Certalume for TL5 lamps

Numerator - Packs per outer box	50
EAN/UPC - Case	8727900886566

Dimensional drawing



Product	D1	C1	A1	A2	B1
EB-C 128 TL5 220-240V 50/60Hz	4.2 mm	21.0 mm	275.0 mm	265.0 mm	19.8 mm

